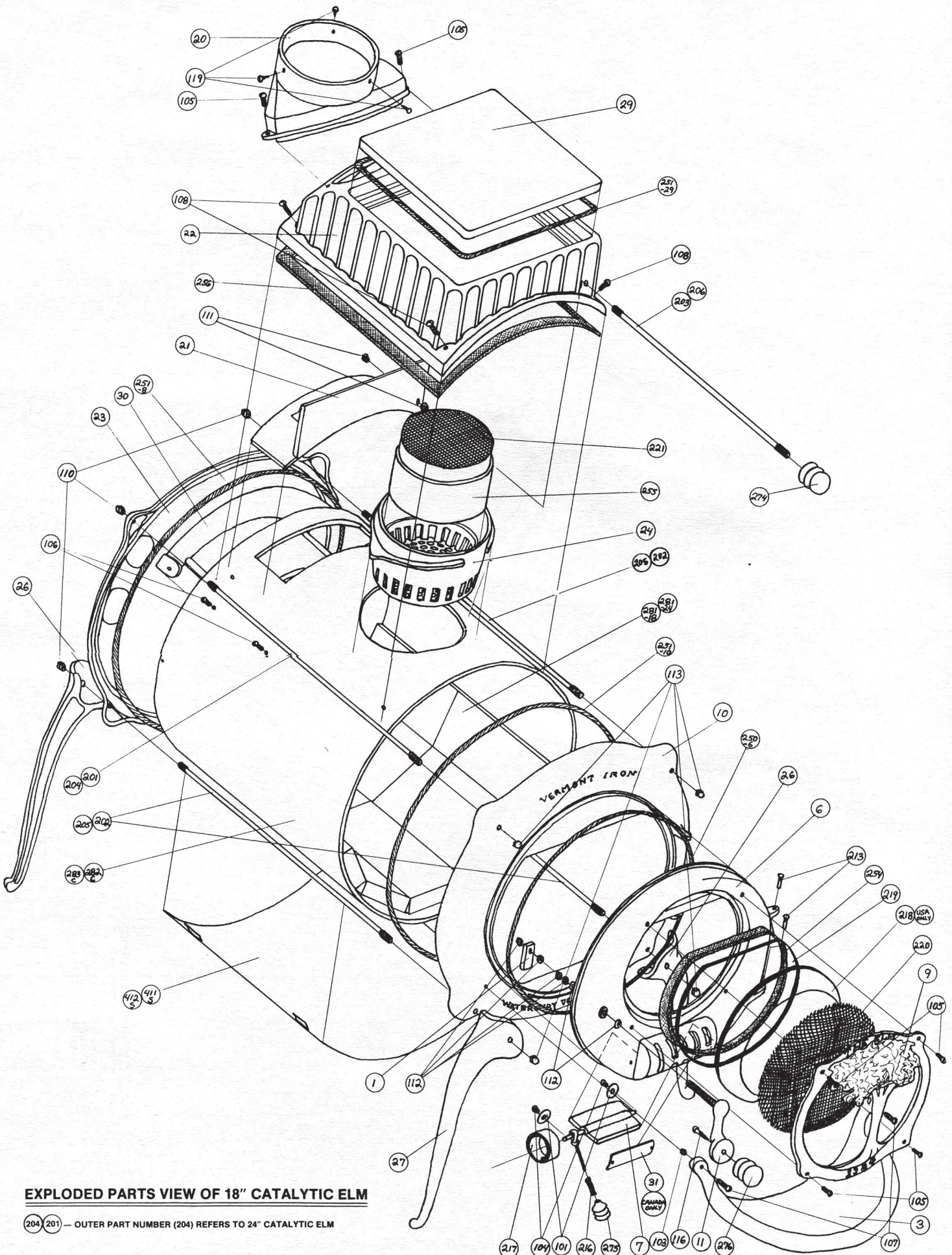


EXPLODED PARTS VIEW OF 18" ELM

○ OUTER NUMBER REFERS TO 36" ELM
 ○ SECOND NUMBER REFERS TO 24" ELM
 ○ INSIDE NUMBER REFERS TO 18" ELM

(Figure 7A — exploded view of Elm)



EXPLODED PARTS VIEW OF 18" CATALYTIC ELM

204 201 — OUTER PART NUMBER (204) REFERS TO 24" CATALYTIC ELM

31
CANADA ONLY

(Figure 7B — exploded view of Catalytic Elm)

Vermont Iron Parts — VI#

- | | |
|---|--|
| <p>1 Dog (Part of door latch)
 2 Right 8" leg
 3 Ash Apron
 3-BT Brass Ash Apron
 3-NT Nickel Ash Apron
 5 Cook top, round (Elm)
 6 Door
 7 Draft Flap
 8 45° Back (Elm)
 9 Elm Tree
 9-BT Brass Elm Tree
 9-NT Nickel Elm Tree
 10 Front Ring
 11 Handle — door
 11-BT Brass Door Handle
 11-NT Nickel Door Handle
 12 24" and 36" baffle (Elm)
 13 Left 8" leg
 16 18" Elm baffle
 17 Smoke Screen (for 1976 Elms)
 18 Window Widget (for 1976 Elms)
 19 45° Elbow (Elm)
 20 Catalytic Elbow
 21 Bypass Damper (Catalytic Elm)
 22 Cooktop Housing (Catalytic Elm)
 23 Back (Catalytic Elm)
 24 Combustor Can (Catalytic Elm)
 25 Flue Plug for Catalytic Retro-fit
 26 Right 14" leg (front or left rear)
 27 Left 14" leg (front or right rear)
 28-CA Stainless Steel Hot Water Loop
 Shim Kit
 29 Cast Griddle (Catalytic Elm)
 30 Interior Firebox Baffle
 (Catalytic Elm)
 31 ULC Draft Reduction Plate
 (Canada Only)
 32 Left 4" fireplace leg
 33 Right 4" fireplace leg
 34 18" Cast Iron Latticework
 Warming Shelf
 35 24" Cast Iron Latticework
 Warming Shelf
 101 1/4" Fender Washer
 102 1/4" Brass Flat Washer
 103 1/4" 20 NC Hex Nut
 104 1/4" 20 X 1/2 RHMS
 105 1/4" 20 X 3/4" RHMS
 106 1/4" 20 X 1" RHMS
 107 1/4" 20 X 1 1/4" RHMS
 108 1/4" 20 X 1 1/2" RHMS
 110 3/8" 16 NC Hex Nut (nickel)
 111 3/8" NC Jam Nut
 112 3/8" Brass Flat Washer
 113 3/8" NC Acorn Nut (nickel)
 116 #14 X 1 1/4 RHSH Wood
 117 #8 X 1 1/2" SMST
 119 #8 X 3/4" SMST
 202 18" Tie Rod
 203 Bypass Control Rod
 (18" Catalytic Elm)</p> | <p>205 24" Tie Rod
 206 Bypass Control Rod
 (24" Catalytic Elm)
 208 36" Tie Rod
 209-C Complete Tool Set
 209-H Holder
 209-P Poker
 209-S Shovel
 209 B-Broom
 213 Hinge Pins
 214 Eye Hook
 215 Pop Rivet For ID tag
 216 Stainless Steel Spring
 217 Brass Ring
 218 #209 Pyrex Pie Plate
 219 Inner Glass
 220 Hexagonal Mesh
 221 Catalytic Combustor
 222 ID tag for Elm
 223 ID tag for Catalytic
 226 Elm Owner's Manual
 227 Catalytic Elm Owner's Manual
 250 1/4" Round Gasket (per foot)
 250-6 Door Gasket
 251 5/16" Round Gasket (per foot)
 251-8 Back Casting Gasket
 251-10 Front Ring Gasket
 251-29 Cast Griddle Gasket (Catalytic Elm)
 253 1/4" Double sewn (ULC Glass)
 254 1/4" Window Gasket
 254-219 Glass Gasket
 255 3/16" Interram Gasket for
 Catalytic Combustor
 256 3/16" Interram Gasket for
 Catalytic Cooktop
 274 Wood Knob — bypass control rod
 (Catalytic Elm)
 275 Wood Knob — draft flap
 276 Wood Knob — door handle
 281-4 4 1/2" Firebrick
 281-8 8" Firebrick
 281-9 9" Firebrick (uncut)
 281-18 Set of firebricks — (18" Firebox)
 281-24 Set of firebricks — (24" Firebox)
 281-36 Set of firebricks — (36" Firebox)
 282 18" Stove Body
 282C 18" Catalytic Stove Body
 283 24" Stove Body
 283C 24" Catalytic Stove Body
 284 36" Stove Body
 402-AS-18 18" Stainless Steel Hot Water Loop
 403-AS-24 24" Stainless Steel Hot Water Loop
 411-S 18" Heat Shield — side or bottom
 412-S 24" Heat Shield — side or bottom
 413-S Rear Heat Shield (Elm)
 includes pipe shield
 414-S Rear Heat Shield (Catalytic Elm)
 includes pipe shield</p> |
|---|--|